



DIPLOMATIC
HYDRAULICS

65 350/104 ED



VPP4M

PILOT OPERATED CHECK VALVE SERIES 40

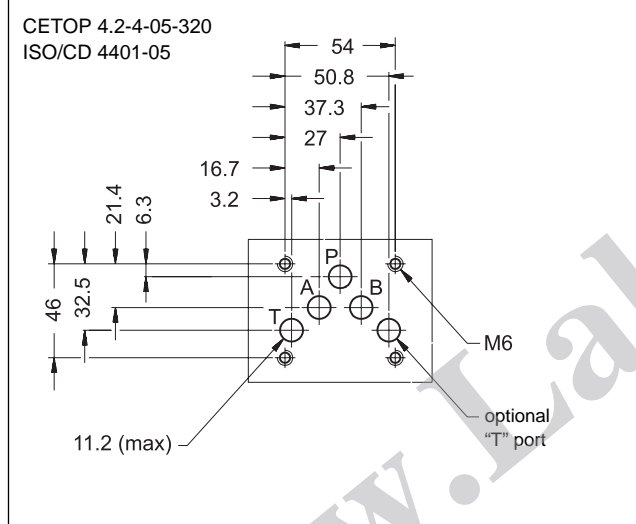
MODULAR VERSION

CETOP 05

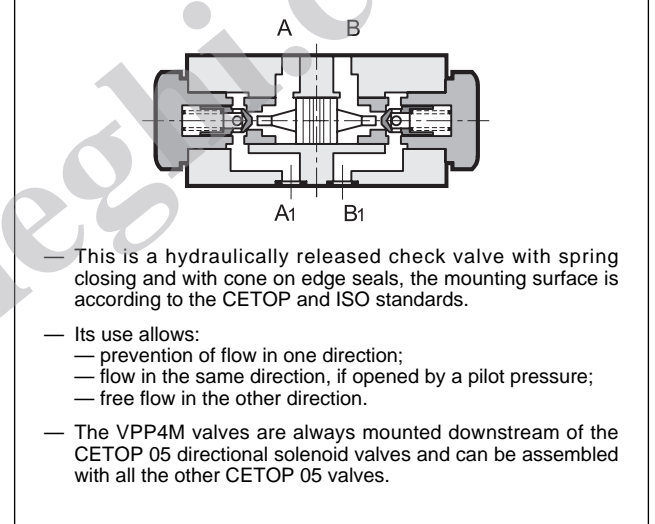
p max 320 bar

Q max (see performance ratings table)

MOUNTING INTERFACE



OPERATING PRINCIPLE



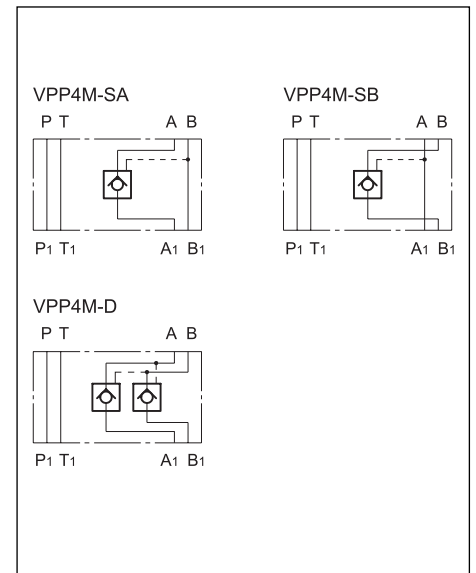
CONFIGURATIONS (see Hydraulic symbols table)

- Configurations "SA" - "SB": are used to lock the actuator in one direction.
- Configuration "D": is used to lock the position of the actuator in both directions.

PERFORMANCE RATINGS (measured with mineral oil of viscosity 36cSt at 50°C)

Maximum operating pressure	bar	320
Maximum flow rate in the controlled lines	l/min	65
Maximum flow rate in the free lines	l/min	100
Ratio between the pressure in the sealed chambers and the piloting pressure		5,8 : 1
Check valve cracking pressure	bar	3
Ambient temperature range	°C	-20 ÷ +50
Fluid temperature range	°C	-20 ÷ +80
Fluid viscosity range	cSt	10 ÷ 400
Recommended viscosity	cSt	25
Degree of fluid contamination	According to NAS 1638 class 10	
Mass: VPP4M-SA and VPP4M-SB	kg	2,9
VPP4M-D	kg	3,1

HYDRAULIC SYMBOLS

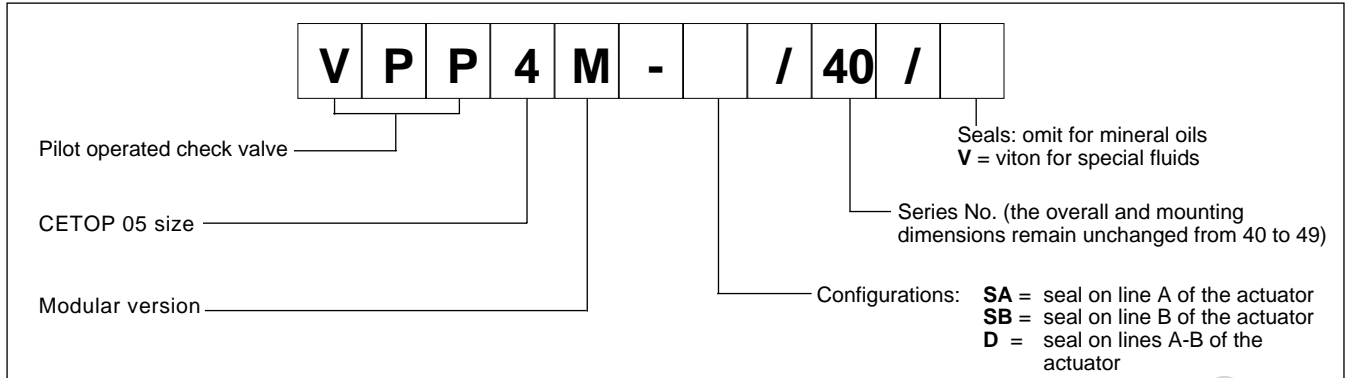




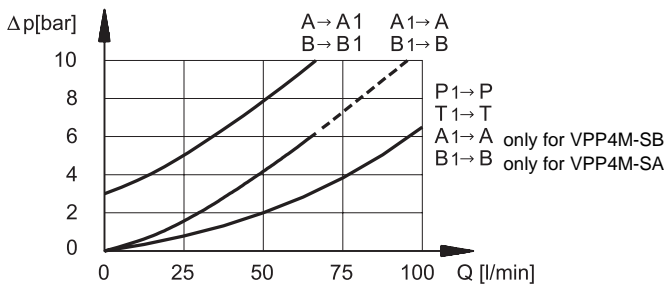
VPP4M

SERIES 40

1 - IDENTIFICATION CODE



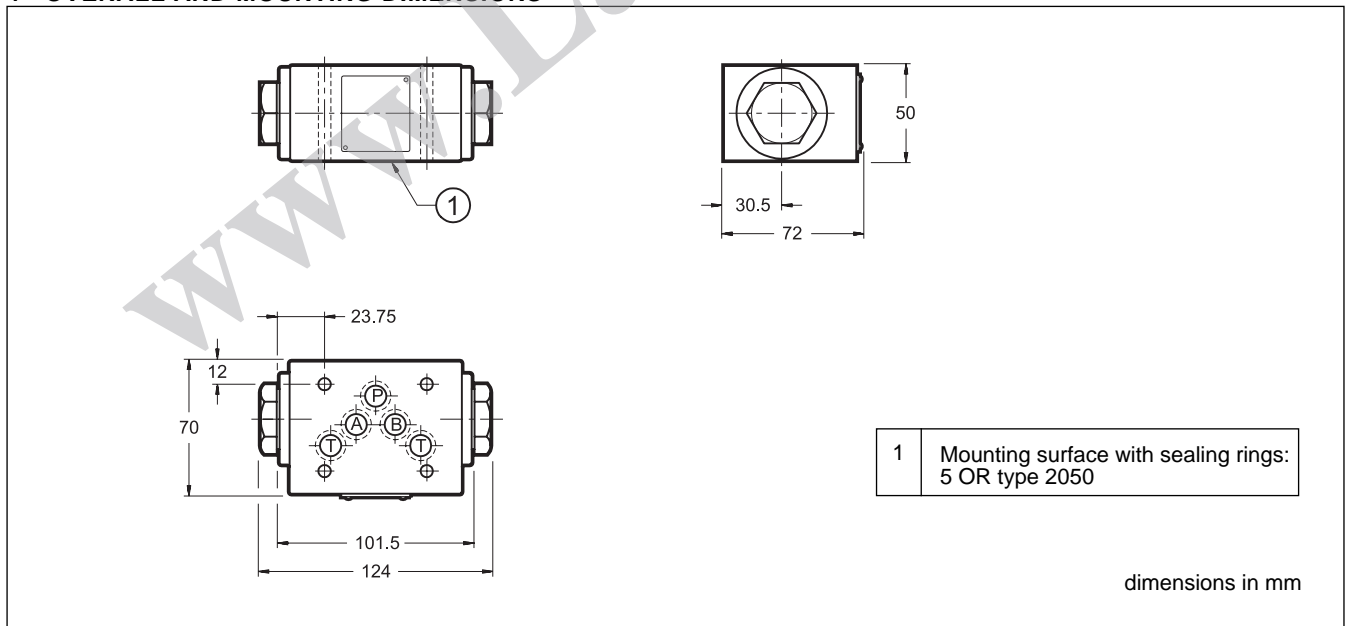
2 - CHARACTERISTIC CURVES (values obtained with viscosity of 36 cSt at 50°C)



3 - HYDRAULIC FLUIDS

Use mineral oil-based hydraulic fluids, with the addition of suitable anti-frothing and anti-oxidizing agents. For the use of other types (water glycol, phosphate esters and others), please consult our technical department.

4 - OVERALL AND MOUNTING DIMENSIONS



DIPLOMATIC OLEODINAMICA SpA
20025 LEGNANO (MI) - P.le Bozzi, 1 / Via Edison
Tel. 0331/472111 - Fax 0331/548328